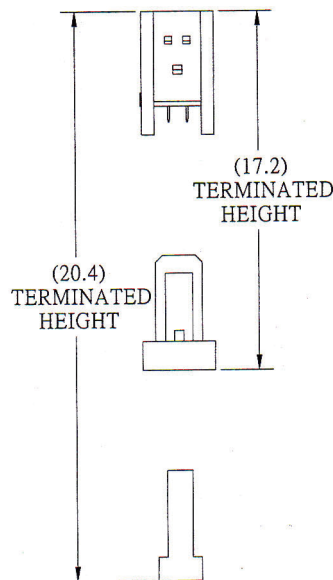
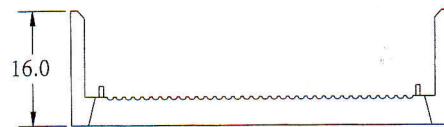
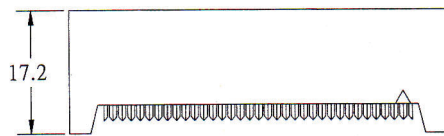
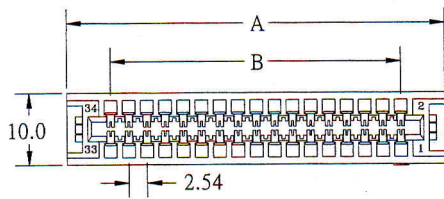


2.54MM(0.100") HIGH RETENSION FORCE CARDEDGE IDC CONNECTOR



SPECIFICATIONS

Current Rating: 1.0 Amp

Dielectric Withstanding: 500V AC

Insulation Resistance: 3000MΩ Min

Contact Resistance: 30mΩ Max.

Operating Temperature: -40°C to + 105°C

MATERIALS

Insulation Material: P.B.T, UL 94V-0

Contact Material: Phosphor Bronze or Brass

All materials must be RoHS compliant.

No. of Contacts	Dimensions(mm)	
	A	B
10	22.36	10.16
14	27.44	15.24
16	29.98	17.78
20	35.06	22.86
26	42.68	30.48
34	52.84	40.64
40	60.46	48.26
44	65.54	53.34
50	73.16	60.96
56	80.78	68.58
60	85.86	73.66
62	88.40	76.20
64	90.94	78.74

ORDERING INFORMATION:

P/N 2 5 4 $\frac{X}{1}$ - $\frac{X X X X X}{2}$ $\frac{3}{4}$

1. CONNECTOR TYPE:

- "CE" W/O STRAIN RELIEF
W/O PLUGGED KEY
- "CF" WITH STRAIN RELIEF
W/O PLUGGED KEY
- "CG" W/O STRAIN RELIEF
WITH PLUGGED KEY
- "CH" WITH STRAIN RELIEF
WITH PLUGGED KEY
- "CJ" STRAIN RELIEF

2. NO. OF CONTACTS:

- 010, 014, 016, 020, 026, 034, 040, 044,
050, 056, 060, 062, 064

3. CONTACT FINISH:

- "S" SELECITIVE GOLD PLATED
- "X" FOR STRAIN RELIEF (CJ)

4. COLOR OF INSULATOR:

- "B" BLACK (STANDARD)
- "A" GRAY (OPTIONAL)